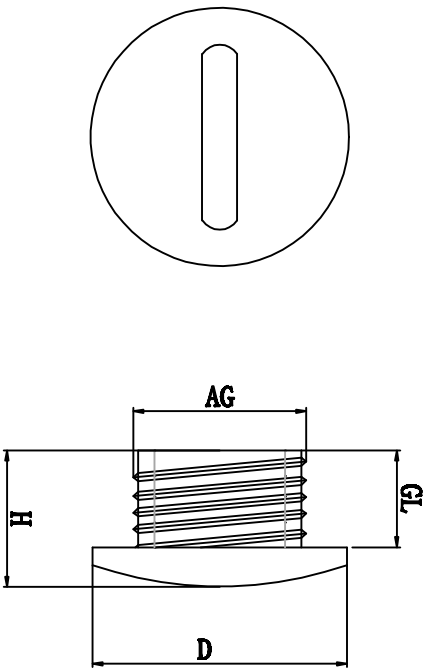


|                |                  |                            |                               |                                       |                                   |
|----------------|------------------|----------------------------|-------------------------------|---------------------------------------|-----------------------------------|
| 料号<br>Part NO. | 品名<br>Parts Name | 螺纹外径<br>Thread O. D AG(mm) | 螺纹长度<br>Thread Length GL (mm) | 主体尺寸<br>Main Body Dimensions<br>H(mm) | 盖帽尺寸<br>Cover Dimensions<br>D(mm) |
| 39-HIWA-PG9    | 塑料堵塞件<br>PG9     | 15.2                       | 6.0                           | 9.0                                   | 17                                |



产品材质：黄铜镀镍  
工作温度：-20℃至100℃  
防护等级：IP65

| DIMENSION        | TOLERANCES |      |                      |                 |         | DWG. BY     | UNIT    | mm          |
|------------------|------------|------|----------------------|-----------------|---------|-------------|---------|-------------|
| 0.0<br>0.00      | ±1.0       |      |                      |                 |         | liu liang   |         |             |
| FIRST ANGLE PROJ |            | A    | NEW PART             | SullivanZy.wang | 2009/08 | CHK. BY     | UNTT    |             |
|                  |            | LTR. | REVISION<br>RECORDED | DWG. BY         | CHK. BY | DATE        | APP. BY | REV.        |
|                  |            |      |                      |                 |         |             | Zy wang | A           |
|                  |            |      |                      |                 |         | DWG. NO.    |         | HIWA/QR-JZ- |
|                  |            |      |                      |                 |         | 39-HIWA-PG9 |         |             |



未经许可不得修改和复印  
该知识产权属于技术质量部；

**HIMA** 惠华  
苏州惠华电子科技有限公司