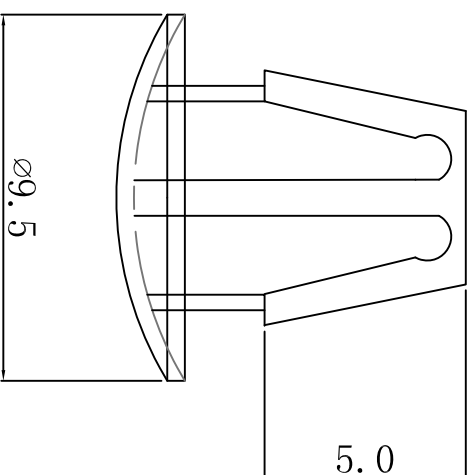


| | |
|----------------|------------------|
| 料号 Part NO. | 品名 Parts Name |
| 34-RAM-5 | PC板间隔柱 RAM-5 |



CHASSIS $\varnothing 5.5$
THICKNESS 0.8-1.6

- ◆ MATERIAL: NYLON 66(UL)
 - ◆ FLAME CLASS: 94V-2
 - ◆ COLOR: NATURAL
 - ◆ UNIT: mm
- 用途: 一端固定于板上, 另一端夹PC板, 避免PC板造成短路, PC板架结构。



未经并受权不得修改和复印
该知识产权属于技术质量部;

| DIMENSION | TOLERANCES | | | | | | | | |
|------------------|--------------------|------|-----------------|------------------|------------------|---------------|---------|----------|---------------------|
| 0.0 0.00 | ± 0.30 | | | | | | | | |
| PRIST ANGLE PROJ | | A | NEW PART | <i>oulliuian</i> | <i>yu wang</i> | <i>201108</i> | DWG. BY | CHK. BY | DATE |
| | | LTR. | REVISION RECORD | | | | | | |
| DWG. BY | <i>liu liang</i> | UNIT | mm | CHK. BY | <i>oulliuian</i> | REV. | A | DWG. NO. | HIMA/QR-JZ-34-RAM-5 |
| APP. BY | <i>wang zhiyan</i> | | | | | | | | |

HIMA 惠华
苏州惠华电子科技有限公司