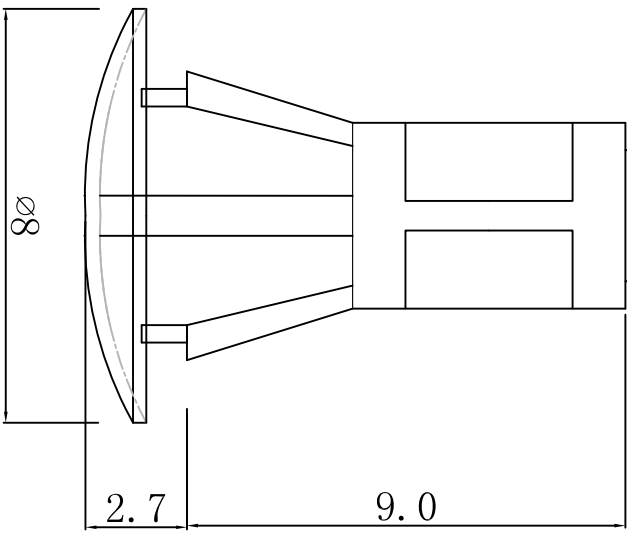


料号 Part NO.	品名 Parts Name
34-RCA-10	PC板间隔柱 RCA-10



PCB $\phi 3.0$
thickness 厚度: 1.6



CHASSIS $\phi 4.0$
thickness 厚度: 0.8-1.6

- ◆ MATERIAL: NYLON 66(UL)
 - ◆ FLAME CLASS: 94V-2
 - ◆ COLOR: NATURAL
- 用途: 固定PC板于机板上, 不会突出板底部, 外观美观。



未经许可不得修改和复印
该知识产权属于技术质量部;

DIMENSION		TOLERANCES		DWG. BY		CHK. BY		UNIT	
0.0				<i>liu liang</i>		<i>liu liang</i>		mm	
0.00		± 0.30		<i>william</i>		<i>william</i>		A	
FRIST ANGLE PROJ				APP. BY		DWG. NO.			
				<i>wang zhiyan</i>		HIWA/QR-JZ-34-RCA-10			
LTR.	A	NEW PART		DATE					
		REVISION RECORD		<i>2010/08</i>					
		DWG. BY	<i>william</i>						
		CHK. BY	<i>zy wang</i>						