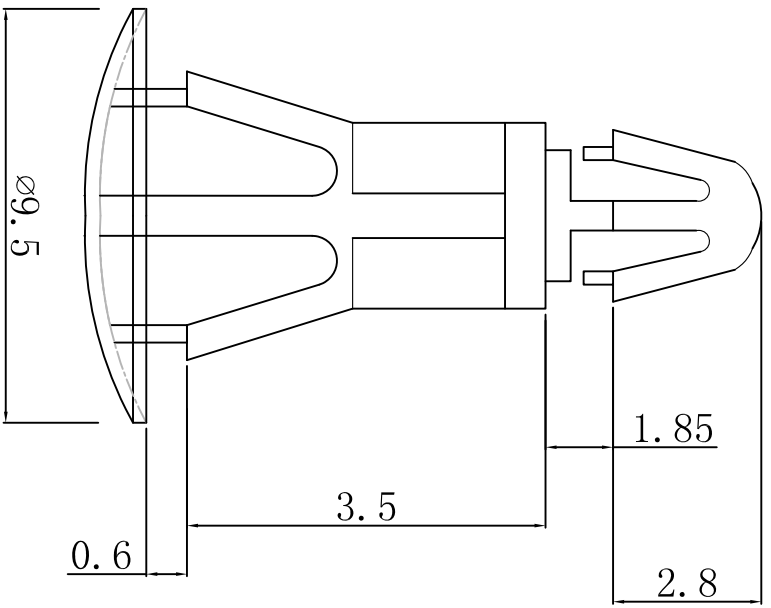


料号 Part NO.	品名 Parts Name
34-RCG-3.5	PC板间隔柱 RCG-3.5

PCB  $\phi 3.0$   
thickness 厚度: 1.2-1.7



CHASSIS  $\phi 5.5$   
thickness 厚度: 0.6-1.2

- ◆ MATERIAL: NYLON 66(UL)
  - ◆ FLAME CLASS: 94V-2
  - ◆ COLOR: NATURAL
- 用途: 固定PC板于机板上, 不会突出机板底部, 外观美观。



未经许可不得修改和复印  
该知识产权属于技术质量部;

DIMENSION		TOLERANCES		DWG. BY		CHK. BY		DATE	
0.0									
0.00		$\pm 0.50$							
FRIST ANGLE PROJ				NEW PART		CHK. BY		DATE	
				A		wang zhuoyan		2018 08	
LTR.		REVISION RECORD		DWG. BY		CHK. BY		DATE	
				liu liang		zy wang			
DWG. BY		UNIT		APP. BY		DWG. NO.		HIWA/QR-JZ-	
liu liang		mm		wang zhuoyan		34-RCG-3.5			
CHK. BY		REV.		APP. BY		DWG. NO.		HIWA/QR-JZ-	
wang zhuoyan		A		wang zhuoyan		34-RCG-3.5			

HIWA 惠华苏州惠华电子科技有限公司