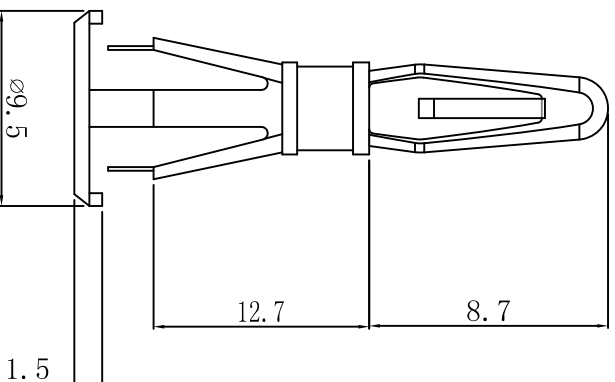


料号 Part NO.	品名 Parts Name
34-RCW-12.7	PC板间隔柱 RCW-12.7

PCB  $\varnothing 3.2$   
thickness 厚度: 1.2-1.7



CHASSIS  $\varnothing 4.8$   
thickness 厚度: 1.2-1.6

- ◆ MATERIAL: NYLON 66(UL)
- ◆ FLAME CLASS: 94V-2
- ◆ COLOR: NATURAL
- 用途: 固定PC板于机板上, 不会突出板底部, 外观美丽.

DIMENSION	TOLERANCES	NEW PART		DWG. BY	CHK. BY	DATE	DWG. BY	UNIT	mm
0.0 0.00	$\pm 0.30$	A		<i>wallian</i>	<i>yu wang</i>	<i>20108</i>	<i>liu liang</i>	UNIT	
FIRST ANGLE PROJ		LTR.	REVISION RECORD				CHK. BY	REV.	A
							APP. BY	DWG. NO.	HIWA/QR-JZ-34-RCW-12.7



未经授权不得修改和复印  
该知识产权属于技术质量部;