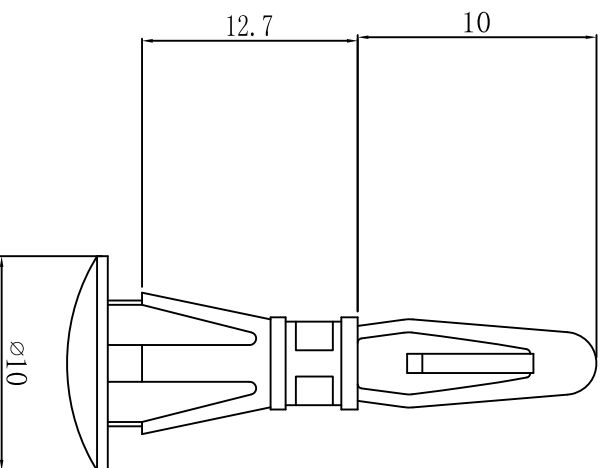


料号 Part NO.	品名 Parts Name
34-RCFL-12.7	PCB间隔柱 RCFL-12.7

PCB $\phi 4.0$

thickness 厚度: 1.6



CHASSIS $\phi 6.0$
thickness 厚度: 0.8-1.2



未经授权不得修改和复印
该知识产权属于技术质量部;

DIMENSION	TOLERANCES									DWG. BY	UNIT	mm
0.0 0.00	± 0.30									<i>liu liang</i>		
PRIST ANGLE PROJ		A	NEW PART	<i>sullivan</i>	<i>yan wang</i>	<i>20108</i>				CHK. BY	REV.	A
L.T.R.			REVISION RECORD	DWG. BY	CHK. BY	DATE				APP. BY	DWG. NO.	HIMA/QR-JZ- 34-RCFL-12.7
										<i>wang zhiyan</i>		

- ◆MATERIAL: NYLON 66(UL)
 - ◆FLAME CLASS: 94V-2
 - ◆COLOR: NATURAL
- 用途: 固守PC板于槽底上, 不会突出板底部, 外表美丽.

苏州惠华电子科技有限公司