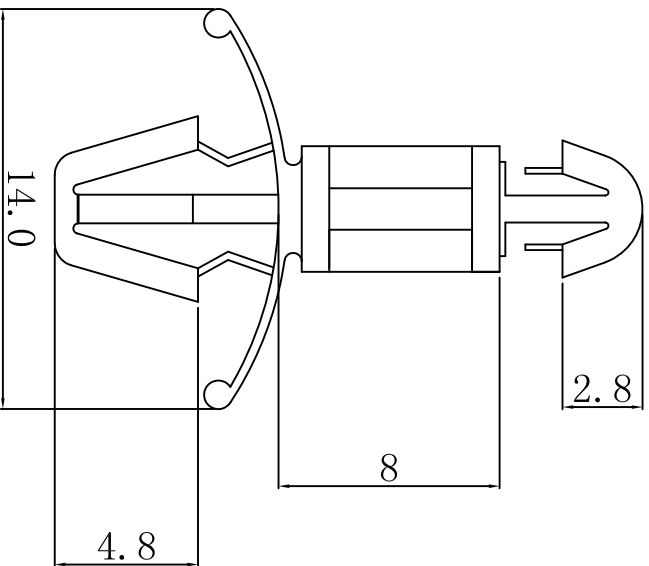


| | |
|----------------|------------------|
| 料号 Part NO. | 品名 Parts Name |
| 34-LCBU-8 | PC板间隔柱 LCBU-8 |

P. C. B \varnothing 3.5
Thickness 1.2-1.7



Chassis \varnothing 4.8
Thickness 0.8-2.2

用途: 固定PC板与PC板之固定; 不占空间
材质: NYLON66(UL)
防火等级: 94V-2
颜色: 白色 (本色)



未经受权不得修改和复印
该知识产权属于技术质量部;

| DIMENSION | | TOLERANCES | | | | | | | | | | | | | | | |
|------------------|--|------------|--|----------|--|-----------------|--|-----------|--|---------|--|--------|--|-------------|--|----------------------|--|
| 0.0 | | | | | | | | | | | | | | | | | |
| 0.00 | | ± 0.5 | | | | | | | | | | | | | | | |
| FRIST ANGLE PROJ | | A | | NEW PART | | REVISION RECORD | | AUTOMATIC | | 3% Wang | | 202108 | | DWG. BY | | UNIT | |
| | | | | | | | | | | | | | | Liu liang | | mm | |
| | | | | | | | | | | | | | | CHK. BY | | REV. | |
| | | | | | | | | | | | | | | wang ziyuan | | A | |
| | | | | | | | | | | | | | | APP. BY | | DWG. NO. | |
| | | | | | | | | | | | | | | HIMA | | HIWA/QR-JZ-34-LCBU-8 | |