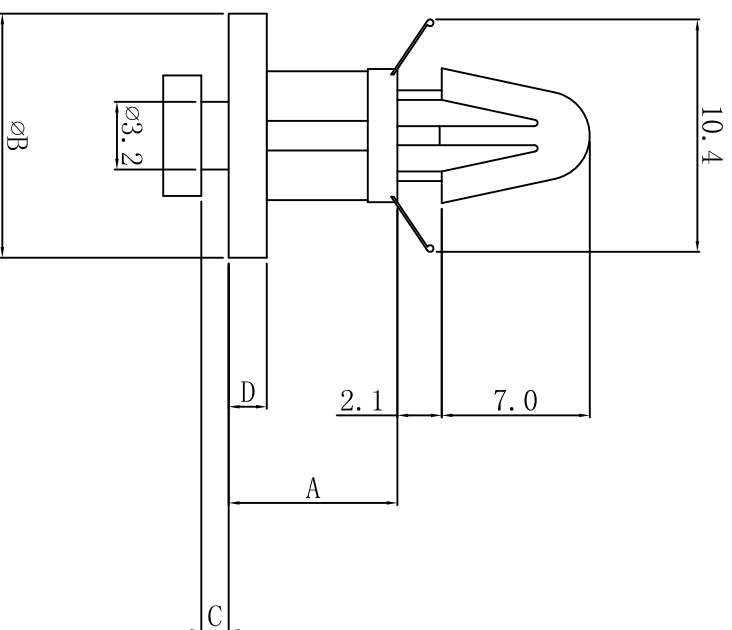


料号 Part NO.	品名 Parts Name	规格	A	B	C	D
34-ACB-68	间隔柱	ACB-68	68.0	11.3	1.3	1.4

P. C. B $\varnothing 4.0$
THICKNESS 1.2-1.7



材质: 尼龙66 (UL)
阻燃等级: 94V-2
颜色: 本色
单位: mm

DIMENSION	TOLERANCES												
0.0 0.00	± 0.5												
FRIST ANGLE PROJ		A	NEW PART	DATE	DWG. BY	CHK. BY	DATE						
		LTR.	REVISION RECORD										
DWG. BY	CHK. BY	UNIT	REV.	DWG. NO.	APP. BY	DATE							
liu liang	wallian	mm	A	HIWA/QR-JZ-34-ACB-68	wang ziyuan	202108							



未经受权不得修改和复印
该知识产权属于技术质量部;