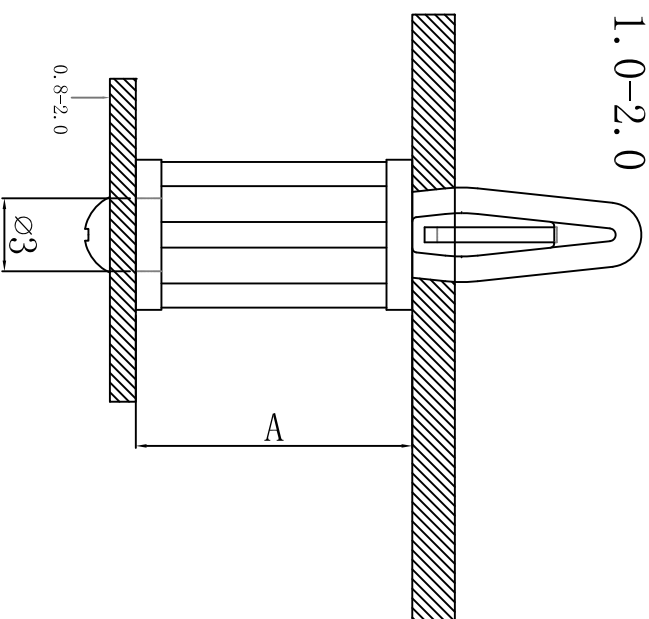


料号 Part NO.	品名 Parts Name	规格	A
34-BBS-22S	间隔柱	BBS-22S	22.4

P. C. B  $\phi 4.0$   
THICKNESS 1.0-2.0



材质: 尼龙66 (UL)  
阻燃等级: 94V-2  
颜色: 本色  
单位: mm

DIMENSION	TOLERANCES									DWG. BY	CHK. BY	APP. BY	UNIT	DWG. NO.	HIWA/QR-JZ- 34-BBS-22S
0.0 0.00	$\pm 0.5$									<i>liu liang</i>	<i>wullivan</i>	<i>wang zhiyan</i>	mm	A	
FIRST ANGLE PROJ		A	NEW PART	<i>wullivan</i>	<i>ya wang</i>	<i>2016108</i>									
L.T.R.		REVISION RECORD	DWG. BY	CHK. BY	DATE										



未经并受权不得修改和复印  
该知识产权属于技术质量部;