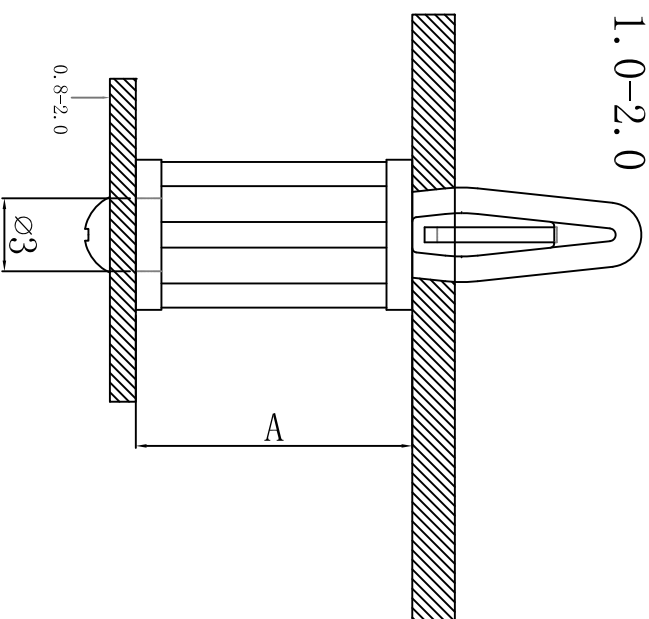


料号 Part NO.	品名 Parts Name	规格	A
34-BBS-29S	间隔柱	BBS-29S	29.0

P. C. B $\phi 4.0$
THICKNESS 1.0-2.0



材质: 尼龙66 (UL)
阻燃等级: 94V-2
颜色: 本色
单位: mm

DIMENSION	TOLERANCES																		
0.0 0.00	± 0.5																		
FRIST ANGLE PROJ		A	NEW PART	<i>allilian</i>	<i>yan wang</i>	<i>2016108</i>													
		LTR.	REVISION RECORD	DWG. BY	CHK. BY	DATE	DWG. BY	CHK. BY	DATE	APP. BY	CHK. BY	REV.	DWG. NO.	HIWA/QR-JZ-34-BBS-29S					



未经并受权不得修改和复印
该知识产权属于技术质量部;