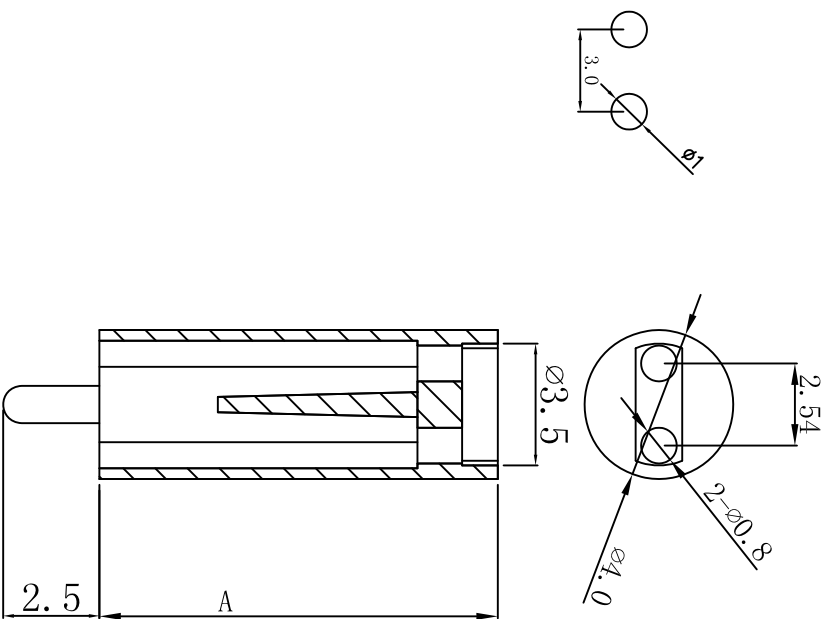


料号 Part NO.	品名 Parts Name	A (MM)
34-LEDWK-6	间隔柱 LEDWK-6	6.0



- ◆ MATERIAL: NYLON 66 (UL)
- ◆ FLAME CLASS: 94V-2
- ◆ COLOR: NATURAL
- ◆ UNIT: mm

用途: 用於保護LED立於PC板上, 使高度一致, 中間隔板設計, 接腳不會彎曲、折斷、短路。



未经受权不得修改和复印
该知识产权属于技术质量部;

DIMENSION	TOLERANCES					
		0.0 0.00	±0.2			
FIRST ANGLE PROJ		A	NEW PART	DATE		
LTR.		REVISION RECORD	DWG. BY	CHK. BY	DATE	
			william	zqj/wang	2011/28	
DWG. BY	CHK. BY	UNIT	DWG. NO.			
william	william	mm	HIWA/QR-JZ-34-LEDWK-6			
APP. BY	DWG. NO.					
wang zhiyan	34-LEDWK-6					

HIWA 苏州惠华电子科技有限公司