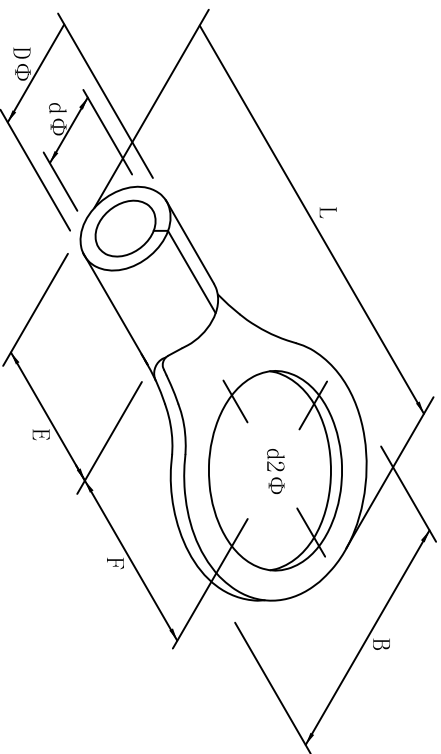


| | | | | | | | | | | |
|--------------------|------------------|----------------|----------------------------|-----------------|-------|------|------|------|------|--------------------|
| 料号 material No. | 品名 Parts Name | 型号 Part NO. | 螺钉口直径 screw dia. d2ø | Dimensions (mm) | | | | | | 美制螺钉号 USA screw |
| 40-RNB70-18 | 圆形裸端头 (T0型) | RNB70-18 | 19.0 | B | L±1.5 | F | E | DΦ | dΦ | 11/16 |
| | | | | 32.0 | 61.0 | 26.0 | 19.0 | 17.5 | 13.3 | |



导线截面: 70-95mm² (美国线规2/0)
 最大电流: I_{max}=235A
 材质: 紫铜
 材料厚度: 1.9mm



| | | | | | | | | |
|------------------|------------|---|-----------------|----------------|-----------------|------------------|---------------------|------------------------|
| DIMENSION | TOLERANCES | | | | | DWG. BY | UNIT | mm |
| 0.0 0.00 | ±0.5 | | | | | <i>Lin Liang</i> | | |
| FRIST ANGLE PROJ | | A | NEW PART | <i>William</i> | <i>3/4 Wang</i> | <i>2021/05</i> | CHK. BY | REV. |
| | | | REVISION RECORD | | | | <i>William</i> | A |
| | | | | | | | APP. BY | DWG. NO. |
| | | | | | | | <i>wang shiqian</i> | HIWA/QR-JZ-40-RNB70-18 |

未经许可不得修改和复印
 该知识产权属于技术质量部