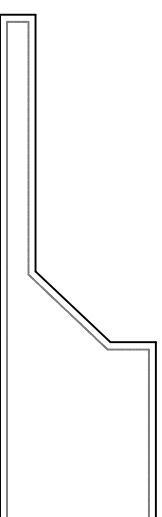
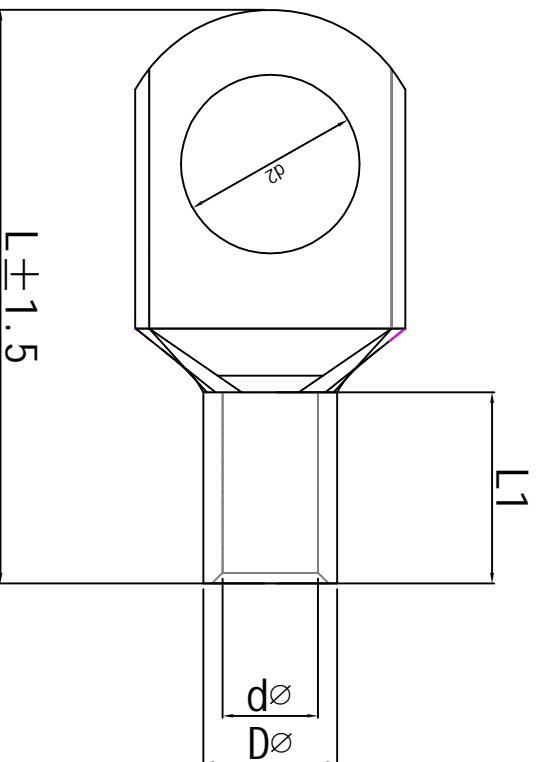


|                    |                  |                |   |                 |                 |      |                                       |
|--------------------|------------------|----------------|---|-----------------|-----------------|------|---------------------------------------|
| 料号<br>material No. | 品名<br>Parts Name | 型号<br>Part NO. | 螺钉口直径<br>Screw dia.<br>d2 $\varnothing$ | Dimensions(mm)  |                 |      | 导线截面<br>Cable size (mm <sup>2</sup> ) |
| 40-SC25-8          | 窥口铜接线端头          | SC25-8         | 8.4                                     | d $\varnothing$ | D $\varnothing$ | L    | 25                                    |
|                    |                  |                |   | 7.2             | 9.0             | 13.5 | 34.0                                  |



材质：紫铜  
表面处理：镀锡



未经授权不得修改和复印  
该知识产权属于技术质量部

| DIMENSION        |  | TOLERANCES |  | NEW PART |  | REVISION RECORD |  | DWG. BY     | UNIT     | mm                     |
|------------------|--|------------|--|----------|--|-----------------|--|-------------|----------|------------------------|
| 0.0              |  |            |  |          |  |                 |  | liu liang   |          |                        |
| 0.00             |  | ±0.5       |  |          |  |                 |  | sullivan    | REV.     | A                      |
| FIRST ANGLE PROJ |  | A          |  |          |  |                 |  | wang zhiyan | DWG. NO. | H1W/A/DR-JZ-40-SC-25-8 |
|                  |  |            |  |          |  |                 |  |             |          |                        |

**HIMA** 苏州惠华电子科技有限公司