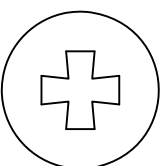
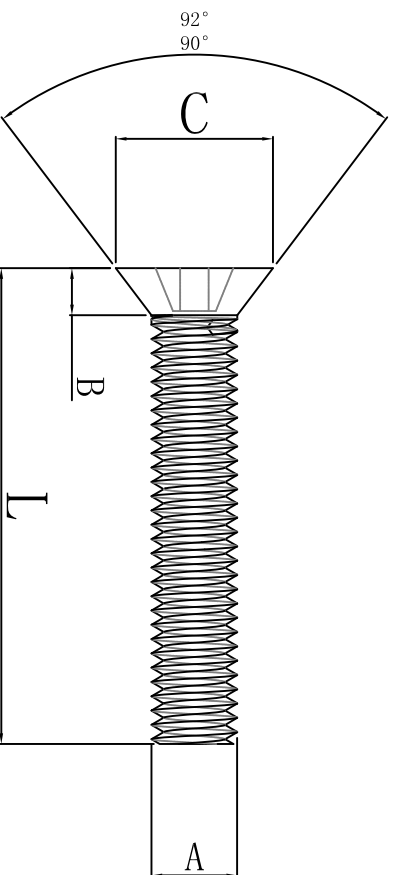


料号 Part NO.	品名 Parts Name	A	Length 长度	B	C	Pitch 螺距
74-PF6-L-F	十字沉头螺丝	PF6-L-F	10, 12, 15, 20, 22, 25, 30, 40	3.3	11.3	1.0
		M6				



- ◆ MATERIAL: NYLON 66(U1)
- ◆ FLAME CLASS: 94V-2
- ◆ COLOR: NATURAL



DIMENSION	TOLERANCES												
0.0	±0.5												
0.00													
FIRST ANGLE PROJ		A	NEW PART	<i>oullivan</i>	<i>yu wang</i>	<i>20108</i>	DWG. BY	CHK. BY	DATE	APP. BY	DWG. NO.	UNIT	mm
		LTR.	REVISION RECORD							<i>wang zhiyan</i>	74-PF6-L-F	REV.	A
										<i>liu liang</i>			
										<i>oullivan</i>			

未经并受权不得修改和复印  
该知识产权属于技术质量部;