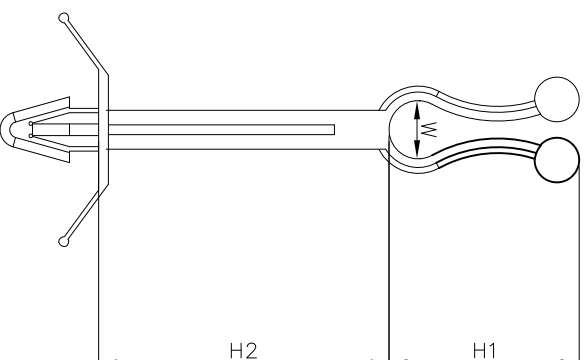


| | | | | | |
|----------------|------------------|----------------|--------|--------|-------|
| 料号 Part NO. | 品名 Parts Name | 型号 Part NO. | H1(mm) | H2(mm) | W(mm) |
| 33-ST-1 | 隔离扭线环 | ST-1 | 19.5 | 31.7 | 6.0 |



材质：尼龙66，防火等级94V-2
颜色：白色
孔径： $\varnothing 4.6-\varnothing 4.8$
适用基板厚度：1.0-2.8



| DIMENSION | TOLERANCES | NEW PART | | | | DWG. BY | UNIT | mm |
|------------------|------------|----------|--|-----------------|-----------------|------------------|----------|-----------------------------|
| 0.0 0.00 | ± 1.0 | | | | | <i>liu liang</i> | UNIT | |
| FRIST ANGLE PROJ | | A | | <i>sullivan</i> | <i>sy-awang</i> | | REV. | A |
| | | | | | | | DWG. NO. | HIMA/OR-JZ-33 -HIMA-ST-1 |
| | | | | | | | CHK. BY | |
| | | | | | | | APP. BY | |
| | | | | | | | | |

未经许可不得修改和复印
该知识产权属于技术质量部