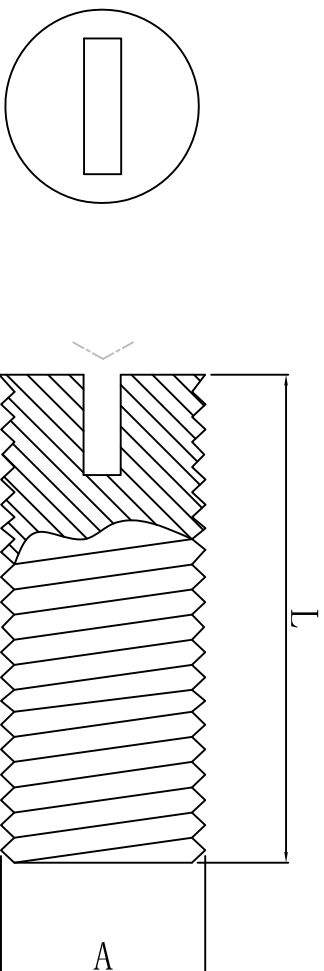


料号 Part NO.	品名 Parts Name	A	L(长度)	Pitch 孔距
74-M4-L-P	一字槽螺丝	M4-L-P	M4	6, 8, 10, 12, 15, 20, 22, 25, 30
				0.7



材质: 16-65;
 标准等级: 94V-2
 颜色: 本色(本色)



DIMENSION	TOLERANCES																	
0.0 0.00	±0.30																	
FIRST ANGLE PROJ		A	NEW PART	<i>oullivan</i>	<i>yo wang</i>	<i>20108</i>												
		LTR.	REVISION RECORD	DWG. BY	CHK. BY	DATE												
DWG. BY	<i>lin liang</i>	UNIT	mm	CHK. BY	<i>oullivan</i>	REV.	A	APP. BY	<i>wang ziyuan</i>	DWG. NO.	HIWA-QR-JZ-74 -HIWA-M4-L-P							

未经并受权不得修改和复印
 该知识产权属于技术质量部;