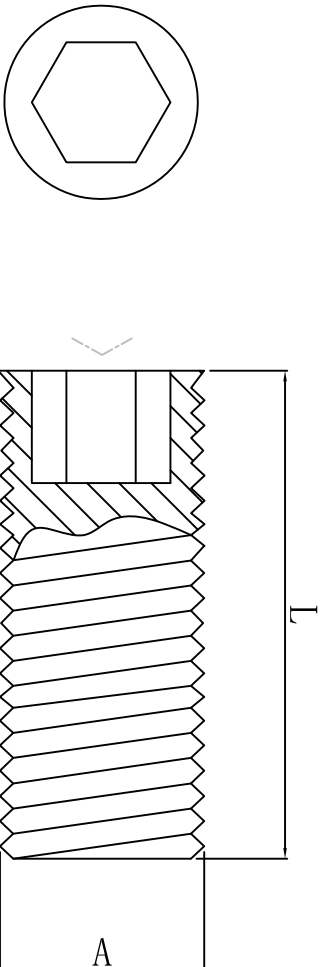


料号 Part NO.	品名 Parts Name	A	L(长度)	Pitch 孔距
74-M3-L-SH	六角槽螺丝	M3-L-SH	M3	4, 5, 6, 8, 10, 12, 15, 20
				0.5



材质: 12.9级56;
 标准等级: 94V-2
 颜色: 本色(本色)



DIMENSION	TOLERANCES									
0.0 0.00	±0.30									
FIRST ANGLE PROJ		A	NEW PART	<i>oullivan</i>	<i>yo wang</i>	<i>20108</i>				
		LTR.	REVISION RECORD	DWG. BY	CHK. BY	DATE				
DWG. BY	<i>lin liang</i>	UNIT	mm							
CHK. BY	<i>oullivan</i>	REV.	A							
APP. BY	<i>wang ziyuan</i>	DWG. NO.	HIWA/QR-JZ-74 -HIWA-M3-L-SH							

未经并受权不得修改和复印
 该知识产权属于技术质量部;