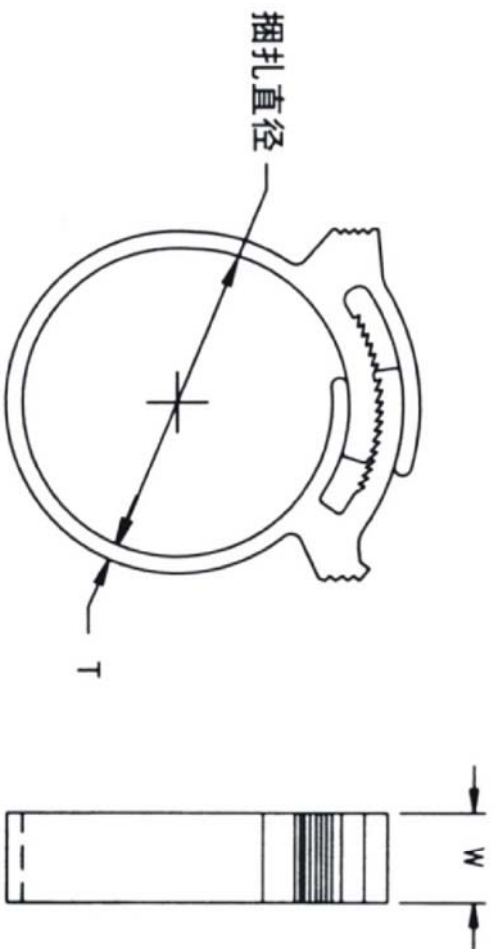


料号 Part NO.	品名 Parts Name	规格	W (mm)	T (mm)	适用范围 (mm)
35-SHC-26	电源束线座	SHC-26	5.6	1.8	9.9-11.9



材质: UL 合格的PA66, 防火等级94V-2.
颜色: 白色 / 黑色

DIMENSION	TOLERANCES									DWG. BY	CHK. BY	DATE	UNIT	mm
0.0 0.00	±0.5									liu liang	wang zhiyuan	202108	REV.	A
FIRST ANGLE PROJ		A	NEW PART	REVISION RECORD	DWG. BY	CHK. BY	DATE	APP. BY	DWG. NO.	liu liang	wang zhiyuan	202108	HIWA/QR-JZ-	35-SHC-26
		LTR.			oullivan	ya wang		APP. BY	DWG. NO.	oullivan	ya wang	202108	HIWA/QR-JZ-	35-SHC-26



未经并受权不得修改和复印
该知识产版权属于技术质量部;