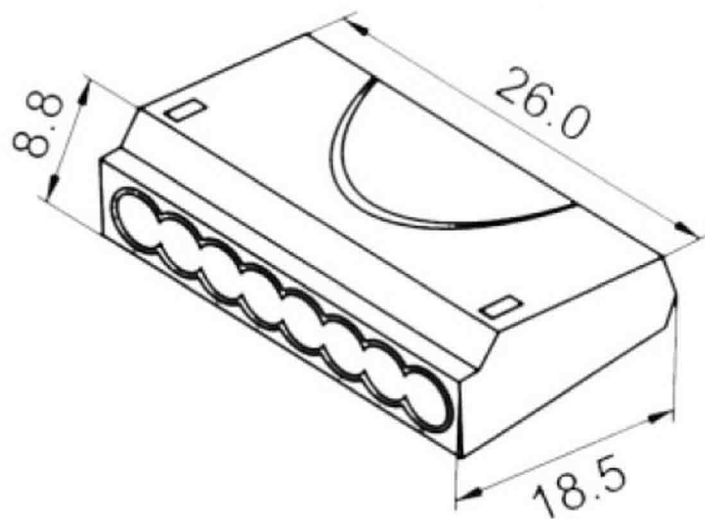


料号
Part NO.

品名
Parts Name

PC158

插式线接头 PC158



IEC: 17. 5A, 450V, T110
0.5-1.5mm², Rigid
UL: 600V, 105°C
#20-#16 AWG, SOL CU



未经许受权不得修改和复印
该知识产权属于技术质量部;

DIMENSION	TOLERANCES						DWG. BY	<i>liu liang</i>	UNIT	mm
0.0 0.00	±0.20						CHK. BY	<i>sullivan</i>	REV.	A
							APP. BY	<i>wang zhiyan</i>	DWG. NO.	PC158
FRIST ANGLE PROJ 	A	NEW PART	<i>sullivan</i>	<i>zy.wang</i>	<i>2018-10-8</i>	 苏州惠华电子科技有限公司				
LTR.	REVISION RECORD	DWG. BY	CHK. BY	DATE						