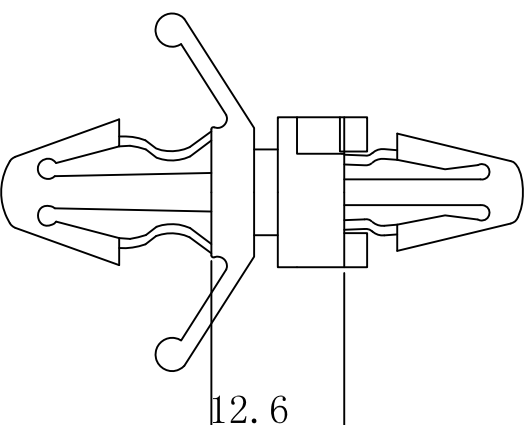


| | |
|----------------|------------------|
| 料号 Part NO. | 品名 Parts Name |
| 34-CBS-13K | 间隔柱 CBS-13K |

Hole dia: $\varnothing 4.0 \pm 0.2 \text{mm}$
 Thickness : 1.2-2.0mm



安装时不须任何工具, 可重复使用,
 表面处理: 镀铬
 材质: NYLON66(UL)
 防火等级: 94V-2
 颜色: 本色
 公差要求: ± 0.5

Hole dia: $\varnothing 4.8 \pm 0.2 \text{mm}$
 Thickness : 0.8-2.0mm



未经授权不得修改和复印
 该知识产权属于技术质量部;

| DIMENSION | TOLERANCES | | | | | | | | |
|------------------|---------------------|-------------|-----------------|-----------------|----------------|----------------|---------|---------|------|
| 0.0 0.00 | ± 0.5 | | | | | | | | |
| PRIST ANGLE PROJ | | | | | | | | | |
| | | A | NEW PART | <i>allucian</i> | <i>zy-wang</i> | <i>2020/08</i> | DWG. BY | CHK. BY | DATE |
| | | LTR. | REVISION RECORD | | | | | | |
| DWG. BY | <i>lin liang</i> | UNIT | | | | | | | |
| CHK. BY | <i>allucian</i> | REV. | | | | | | | |
| APP. BY | <i>wang shiyuan</i> | DWG. NO. | | | | | | | |
| | | HTWA/QR-JZ- | | | | | | | |
| | | 34-CBS-13K | | | | | | | |

HIMA 苏州惠华电子科技有限公司