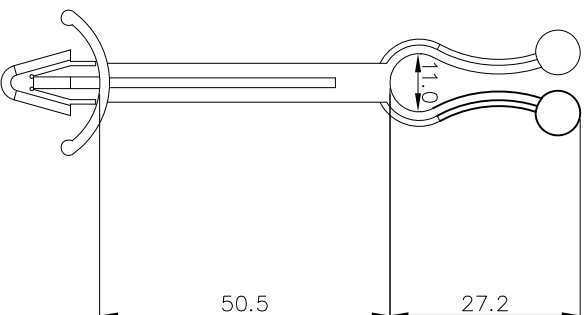


|                 |                  |                |
|-----------------|------------------|----------------|
| 料号<br>Part NO.  | 品名<br>Parts Name | 型号<br>Part NO. |
| 33-HIWA-ST-1247 | 隔离扭线环            | ST-1247        |



材质：尼龙66，防火等级94V-2  
 颜色：白色  
 孔径： $\varnothing 4.6-\varnothing 4.8$   
 适用基板厚度：1.6-3.0



未经许可不得修改和复印  
 该知识产权属于技术质量部

| DIMENSION        | TOLERANCES         |          |                                |                 |                |               |  |  |  |
|------------------|--------------------|----------|--------------------------------|-----------------|----------------|---------------|--|--|--|
| 0.0              |                    |          |                                |                 |                |               |  |  |  |
| 0.00             | $\pm 1.5$          |          |                                |                 |                |               |  |  |  |
| FRIST ANGLE PROJ |                    | A        | NEW PART                       | <i>sullivan</i> | <i>zy-wang</i> | <i>202108</i> |  |  |  |
|                  |                    |          | REVISION RECORD                |                 |                |               |  |  |  |
| DWG. BY          | <i>liu liang</i>   | UNIT     | mm                             |                 |                |               |  |  |  |
| CHK. BY          | <i>sullivan</i>    | REV.     | A                              |                 |                |               |  |  |  |
| APP. BY          | <i>wang zhiyan</i> | DWG. NO. | HIWA/OR-JZ-33<br>-HIWA-ST-1247 |                 |                |               |  |  |  |