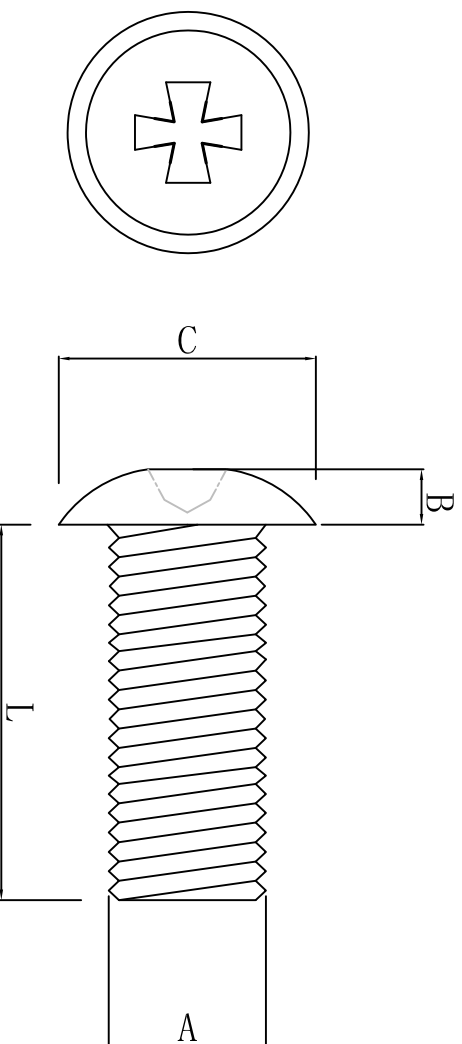


料号 Part NO.	品名 Parts Name	A	Length 长度	B	C	Pitch 螺距
74-PF2-L	十字盘头螺丝	PF2-L	M2	5, 6, 8, 10	1.35	3.5
						0.4



- ◆ MATERIAL: NYLON 66(U1)
- ◆ FLAME CLASS: 94V-2
- ◆ COLOR: NATURAL



DIMENSION	TOLERANCES									
0.0 0.00	±0.5	B	UPDATE TOLERANCES	<i>willian</i>	<i>3% wang</i>	<i>2024/22</i>	DWG. BY	<i>liu liang</i>	UNIT	mm
		A	NEW PART	<i>willian</i>	<i>3% wang</i>	<i>2024/08</i>	CHK. BY	<i>willian</i>	REV.	A
			REVISION RECORD				APP. BY	<i>wang zhiyan</i>	DWG. NO.	HIMA/QR-JZ- 74-PF2-L



未经并受权不得修改和复印
该知识产权属于技术质量部;