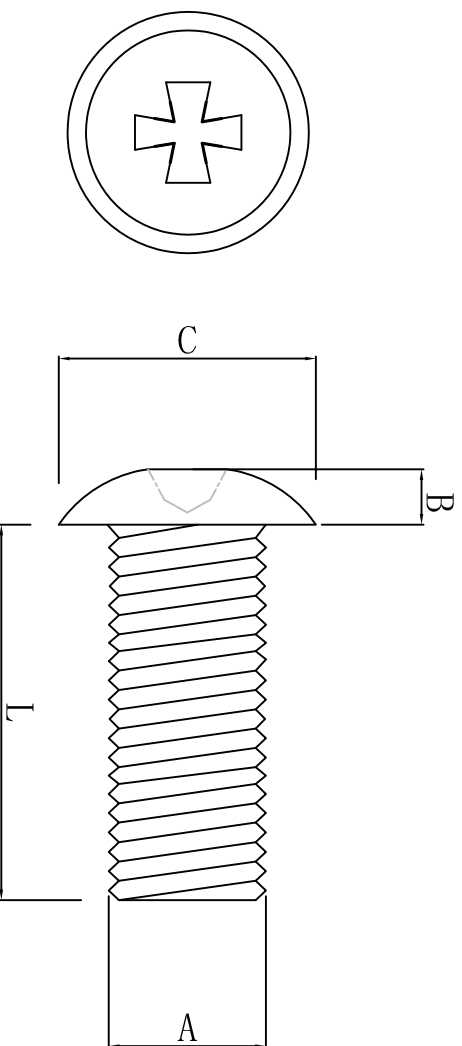


料号 Part NO.	品名 Parts Name	A	Length 长度	B	C	Pitch 螺距
74-PF2.5-L	十字盘头螺丝	PF2.5-L	M2.5	5, 6, 8, 10, 12	2.0	4.3
						0.45



- ◆ MATERIAL: NYLON 66(U1)
- ◆ FLAME CLASS: 94V-2
- ◆ COLOR: NATURAL



DIMENSION	TOLERANCES								
0.0 0.00	±0.5	B	UPDATE TOLERANCES	<i>wullivan</i>	<i>3%</i>	<i>wang</i>	<i>2024/122</i>	DWG. BY	<i>liu liang</i>
		A	NEW PART	<i>wullivan</i>	<i>3%</i>	<i>wang</i>	<i>2024/108</i>	CHK. BY	<i>wullivan</i>
			REVISION RECORD					APP. BY	<i>wang zhiyan</i>
								DWG. NO.	HIMA/QR-JZ- 74-PF2.5-L



LTR.

REVISION  
RECORD

DWG. BY

CHK. BY

DATE

DWG. BY

CHK. BY

APP. BY

DWG. NO.

UNIT

mm

**HIMA** 惠华 苏州惠华电子科技有限公司

未经授权不得修改和复印  
该知识产权属于技术质量部;