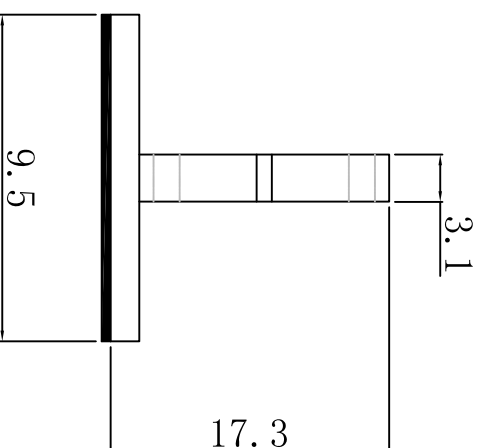
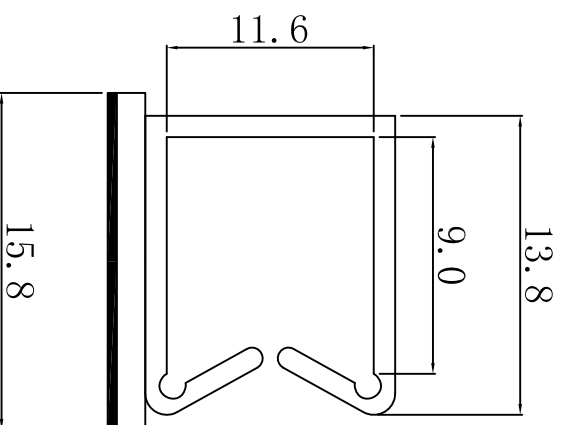


料号 Part NO.	品名 Parts Name	规格
71-C02-AWS-0912	翻贴式扣线套	AWS-0912



MATERIAL: NYLON66 (UL)
 FLAME CLASS: 94V-2
 COLOR: NATURAL
 UNIT: MM



未经并受权不得修改和复印
 该知识产权属于技术质量部;

DIMENSION	TOLERANCES	LTR.	NEW PART	DWG. BY	CHK. BY	DATE	
0.0 0.00	±0.5	A		<i>oullivan</i>	<i>ya wang</i>	<i>2012-01</i>	
FIRST ANGLE PROJ							
DWG. BY	<i>lin liang</i>	UNIT	mm	CHK. BY	<i>oullivan</i>	REV.	A
APP. BY	<i>wang zhiyan</i>	DWG. NO.	HIWA/QR-JZ-71-C02-AWS-0912				