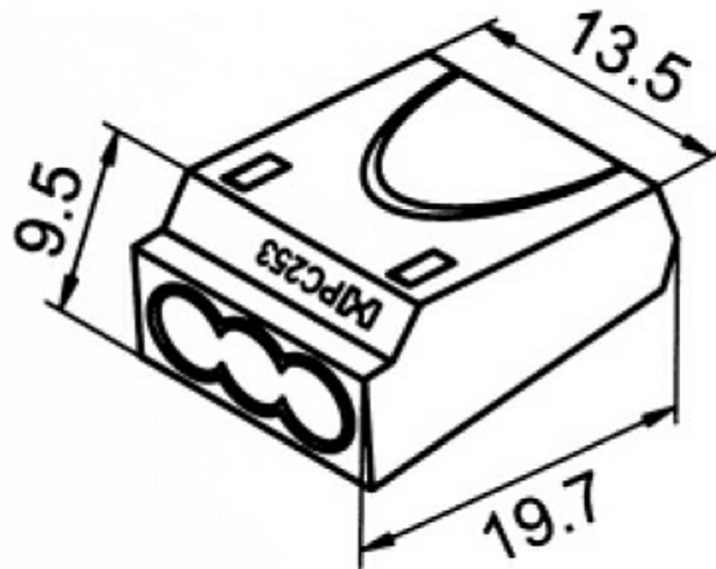


料号  
Part NO.

品名  
Parts Name

PC253

插式线接头 PC253



IEC: 24A, 450V, T110  
 1-2.5mm<sup>2</sup>, Rigid  
 UL: 600V, 105°C  
 #22-#12 AWG, SOL CU



未经许可不得修改和复印  
 该知识产权属于技术质量部;

DIMENSION	TOLERANCES						DWG. BY	<i>liu liang</i>	UNIT	mm
0.0 0.00	±0.20						CHK. BY	<i>sullivan</i>	REV.	A
							APP. BY	<i>wang zhiyan</i>	DWG. NO.	PC253
FRIST ANGLE PROJ 		A	NEW PART	<i>sullivan</i>	<i>zy.wang</i>	<i>2018-10-8</i>	苏州惠华电子科技有限公司			
		LTR.	REVISION RECORD	DWG. BY	CHK. BY	DATE				