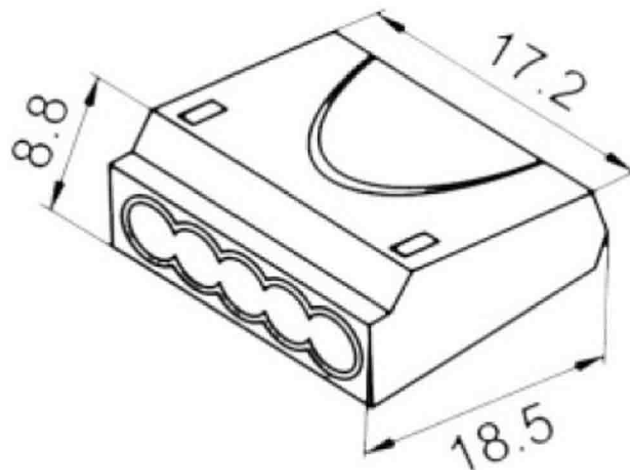


料号  
Part NO.

品名  
Parts Name

PC155

插式线接头 PC155



IEC: 17.5A, 450V, T110

0.5-1.5mm<sup>2</sup>, Rigid

UL: 600V, 105°C

#20-#16 AWG, SOL CU



未经许授权不得修改和复印  
该知识产权属于技术质量部;

|                      |            |      |                 |                 |                |                  |              |                    |          |       |
|----------------------|------------|------|-----------------|-----------------|----------------|------------------|--------------|--------------------|----------|-------|
| DIMENSION            | TOLERANCES |      |                 |                 |                |                  | DWG. BY      | <i>liu liang</i>   | UNIT     | mm    |
| 0.0<br>0.00          | ±0.20      |      |                 |                 |                |                  | CHK. BY      | <i>sullivan</i>    | REV.     | A     |
|                      |            |      |                 |                 |                |                  | APP. BY      | <i>wang zhiyan</i> | DWG. NO. | PC155 |
| FRIST ANGLE PROJ<br> |            | A    | NEW PART        | <i>sullivan</i> | <i>zy.wang</i> | <i>2018-10-8</i> | 苏州惠华电子科技有限公司 |                    |          |       |
|                      |            | LTR. | REVISION RECORD | DWG. BY         | CHK. BY        | DATE             |              |                    |          |       |