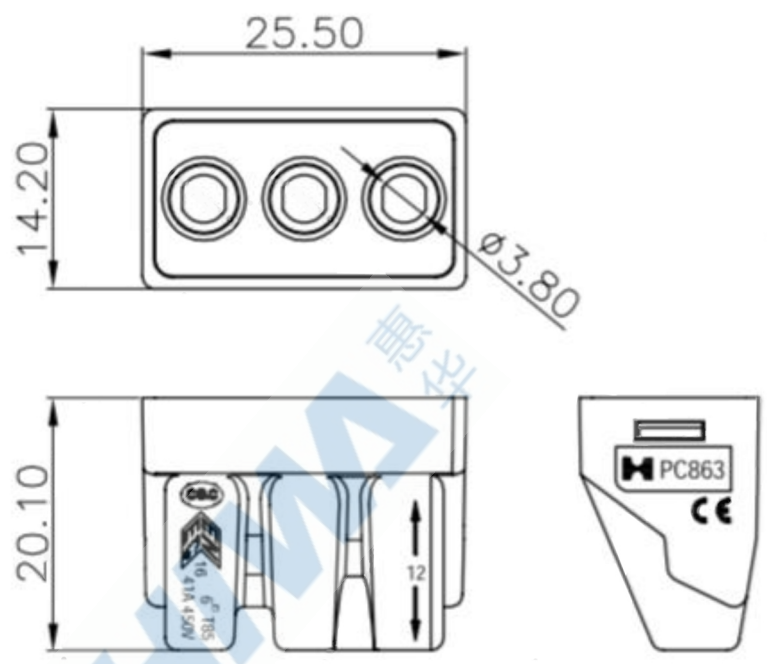


料号 Part NO.	品名 Parts Name	规格 Specification
----------------	------------------	---------------------

41-F01-PC863	推线式连接器	PC863
--------------	--------	-------



Housing Material: Polycarbonate (PC) and Polyamide 66 (PA66), flame-retardant to UL 94V-0  
 Current: 41A(IEC)  
 Voltage: 450V(IEC)  
 Working Temp:T85(IEC)  
 Stripping Length:12mm  
 Wire Range:2.5-6.0MM<sup>2</sup>, Rigid(IEC)



未经许可不得修改和复印  
 该知识产权属于技术质量部;

DIMENSION	TOLERANCES					DWG. BY	liu liang	UNIT	mm
.0 .00	±0.5					CHK. BY	sullivan	REV.	A
						APP. BY	wang zhiyan	DWG. NO.	HIWA/QR-JZ-41-F01-PC863
FRIST ANGLE PROJ 		A	NEW PART	sullivan	zy.wang	2019/05/110	苏州惠华电子科技有限公司		
		LTR.	REVISION RECORD	DWG. BY	CHK. BY	DATE			